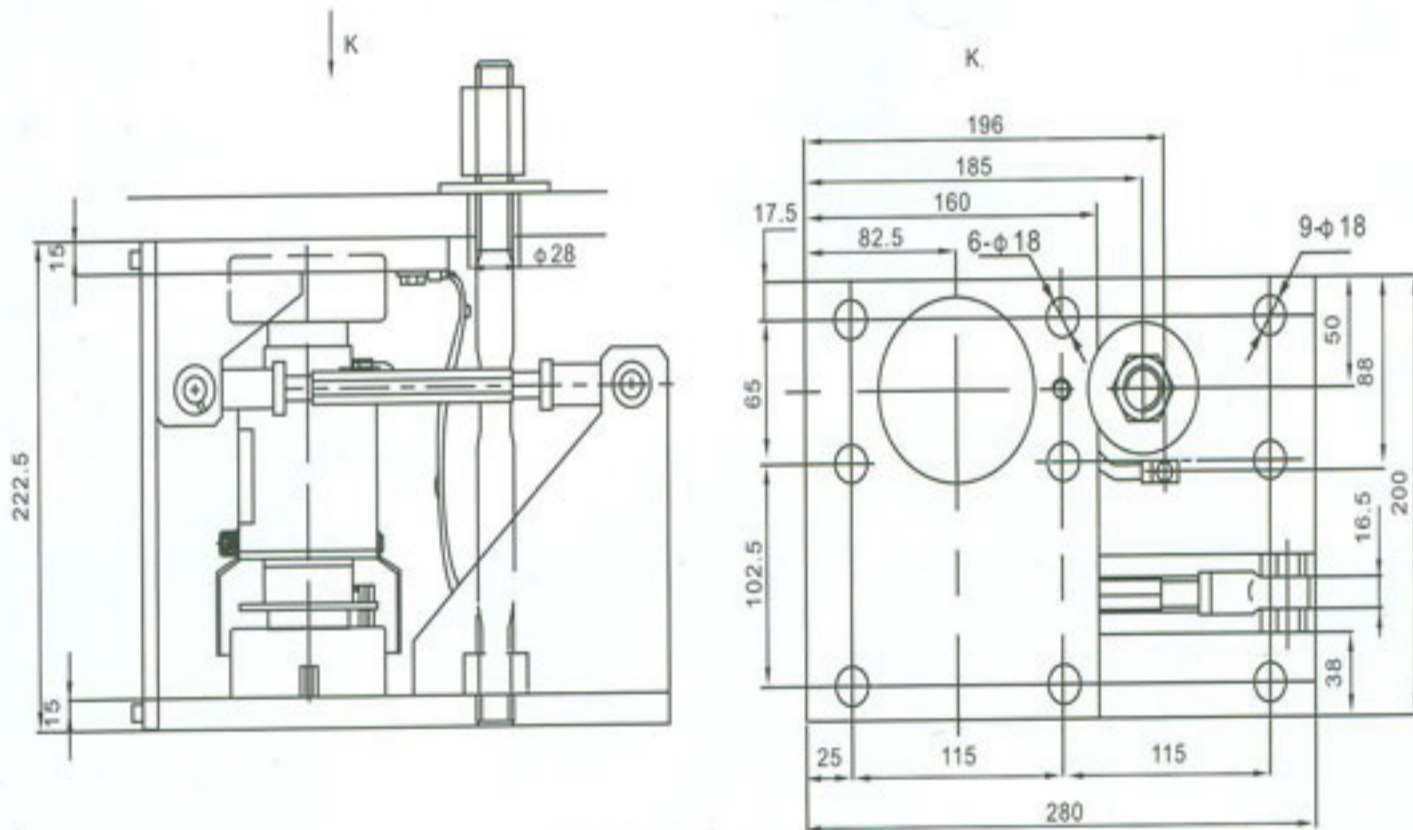


Mouting for IDS632

SDS LOAD CELL



Capacity : 10,15,20,25,30,40,50 t.